

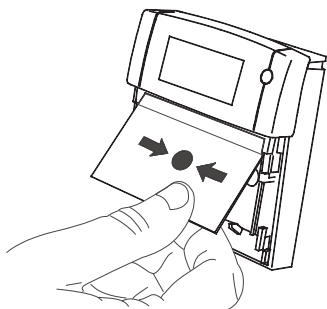
M700KAC-FG & M700KACI-FG

Call Points Analogue Addressable Modules

Section: Intelligent Devices

FEATURES

- **Unique 'Plug & Play' installation concept**
- **Re-settable operating element option**
- **Analogue addressable communications**
- **Semi-Flush or surface mounting**
- **Fully compliant with EN54, Part 11**
- **Backward compatibility**
- **Enhanced aesthetics**
- **Integral LED**
- **Integral loop isolation option**



GENERAL

M700KAC-FG without an integral isolator and M700KACI-FG with an integral isolator, are both call points designed to provide a manual alarm interface to NOTIFIER's fire alarm control panel.

Installation efficiency, flexibility and compliance with the latest standards are at the heart of the call point range.

The unique 'plug and play' concept is designed specifically to reduce installation time by using a terminal block which can be wired during the initial installation cabling with a link (P102) to provide continuity for testing. During the commissioning phase, the links are removed and the terminal block is simply inserted into the connector at the back of the unit. No re-termination is required.

Both break glass, supplied, and re-settable operating elements (PS230) can be used in the standard unit. Operation of the re-settable element, as well as being indicated by the units LED, is also indicated by a yellow strip on the element which becomes visible when activated. With the addition of a hinged transparent cover (PS200) the element may be protected against accidental operation and may be further protected by using a cover seal (PS056) which requires breaking in order to operate the unit.

The call point uses one of 99 possible addresses which is simply 'dialed in' using the two rotary decade switches on the rear of the unit.

A specialist test key may be inserted into the bottom of the unit to lower the glass and release the micro-switch and thus a full functional test is achieved.



INSTALLATION

Both call points are suitable for semi-flush mounting as standard, for indoor use. This uses a single-gang electrical knock-out box in conjunction with a terminal tray (ETT-P) for isolated screen continuity connection. However if surface mounting is required, then a matching single terminal back box is also available (SR1T).

Mounting hardware and installation instructions are provided with each module.

This document is not intended to be used for installation purposes. Every care has been taken in the preparation of this document but no liability can be accepted for the use of the information therein. Design features may be changed or amended without prior notice. For more information, contact **NOTIFIER**, Charles Avenue, Burgess Hill, West Sussex, RH15 9UF, United Kingdom
Phone: +44 (0) 1444 230 300 Fax: +44 (0) 1444 230 888

ISO9001
Design, Manufacture and Supply
to Quality Management Systems
Certified to ISO9001:1994

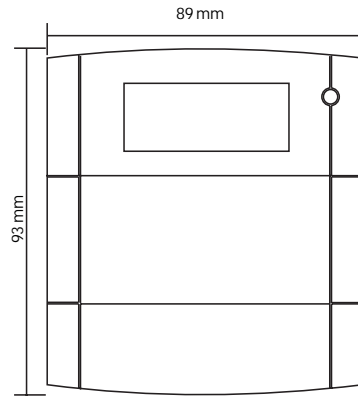


Quality Systems Certificate No. 154
Assessed to ISO9001

SPECIFICATIONS

• Dimensions

- ✓ M700KAC(I)-FG
Semi-flush mounting: 89(w) x 93(h) x 27.5(d).
- Surface mounting: 89(w) x 93(h) x 59.5(d).
- ✓ Weight: Flush 110g.
Surface 160g.
- ✓ Mounting hole centres: 60mm.



• Current Consumption

- ✓ Quiescent (without isolator)- 260µA
- ✓ Quiescent (with isolator) - 360µA
- ✓ Alarm Current: 6mA (both)

• Operating Voltage

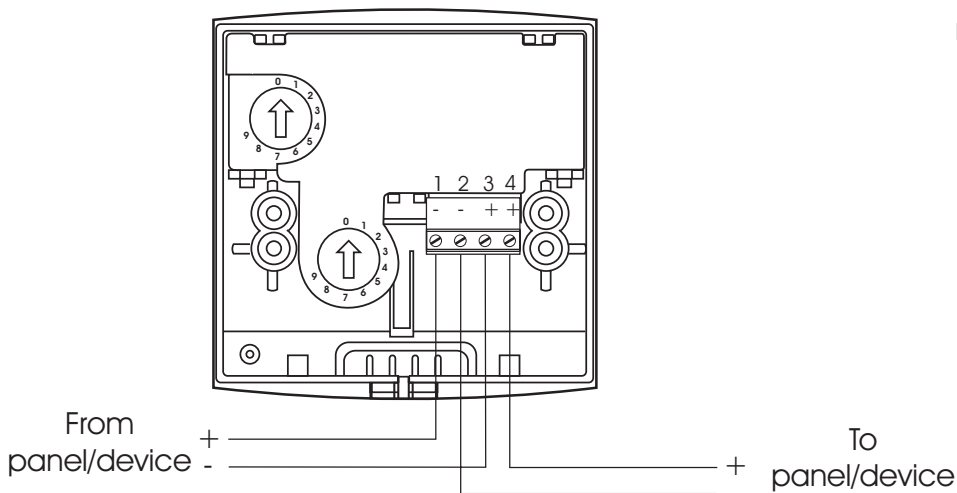
- ✓ 15 V to 30VDC maximum

• Environmental Limits

- ✓ -30°C to +70°C operating temperature
- ✓ 0% to 95%, non-condensing relative humidity
- ✓ Ingress Protection (IP) Rating: IP24D



Wiring Diagram



ORDERING INFORMATION

Part No.	Description
M700KAC-FG	Intelligent call point without isolator. Supplied with glass.
M700KACI-FG	Intelligent call point with isolator. Supplied with glass.

Back boxes:

ETT-P	Semi-flush mounting call point terminal tray.
SR1T	Surface mounting call point back box.

Accessories:

PS200	Transparent hinged cover.
PS056	Call point cover seal (anti-tamper). Pack of 5.
KG1/N10/GL1293	Pack of 10 EN54 Pt.11 glasses.
PS230	Pack of 10 resettable elements.
P102	Pack of 10 continuity links.